



NISSAN PATROL (Y62) Year: 2013-Current















- 🏠 3 Frog Court, Craigieburn VIC 3064
- ☎️ (03) 8351 9933
- ✉️ info@clearviewaccessories.com.au
- 💻 www.clearviewmirrors.com.au

Thank you for purchasing the Clearview Power Boards. At Clearview Accessories our customers are always at the forefront of our innovations, our Power Boards will revolutionise your travel experience.

Clearview Power Boards are triggered by the vehicle's door sensor, so when the door opens, they drop to a convenient stepping height and when the door closes, they retract. With 300kg load capacity, safety cut off feature and IP68 rating on the motors, accessing your vehicle is as easy as one step up.

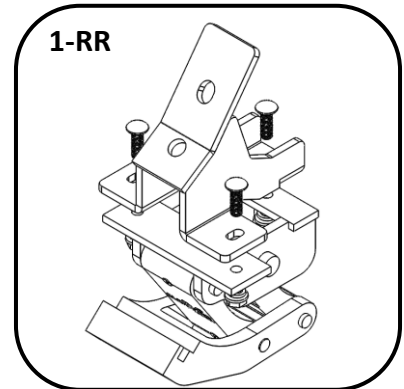
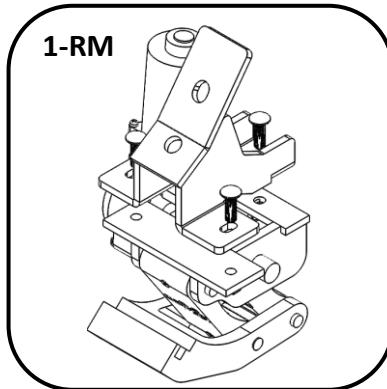
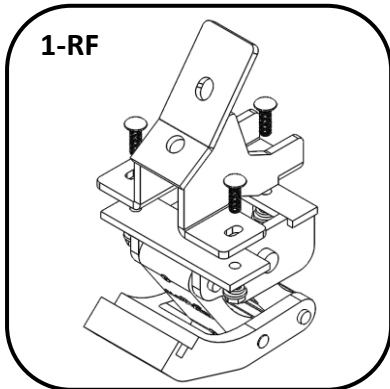
⚠ IMPORTANT

Clearview recommend installation of the Power Boards to be performed by a professional, as installation will require vehicle trim removal, wire routing and electrical work. Installation will take approximately 3 hours.

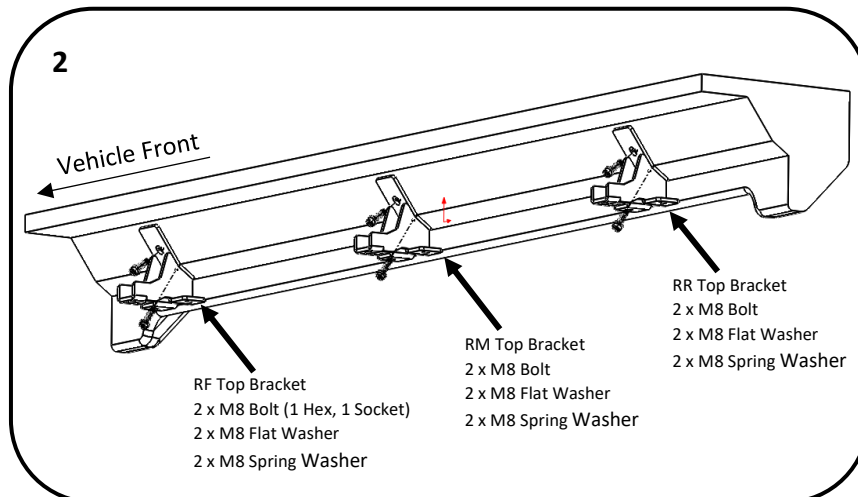
Description	Quantity	
Front Bracket Assembly	1 x Right (RF) 1 x Left (LF)	
Middle Bracket Assembly	1 x Right (RM) 1 x Left (LM)	
Rear Bracket Assembly	1 x Right (RR) 1 x Left (LR)	
Socket Head Bolt	12 x M8 Socket Head 12 x M6 Socket Head	
Spring Washer	12 x M6 12 x M8	
Flat Washer	12 x M8	
U Shape Packing Washer	10	
Running Board	2	
Cable Tie	20	
Control Unit	1	
Wire Harness Set	1	
Plastic Wire Feeder	1	

The following instruction is for installation of the right-hand side Power Board.
 Follow same instruction for installation of left-hand side Power Board.
Installing mounting bracket to vehicle

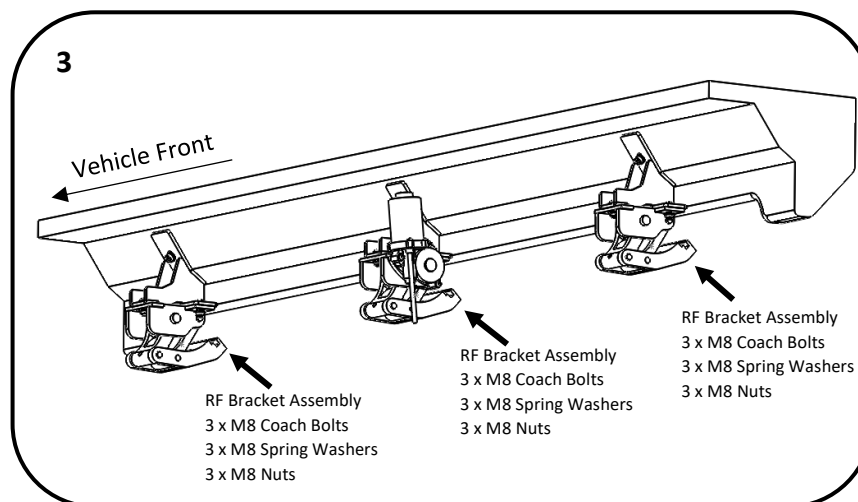
1. Disassemble RF, RM & RR bracket assemblies by undoing M8 nuts. Avoid mix up of components.



2. Mount RF, RM & RR top brackets to underbody of vehicle using supplied nuts, bolts and washers. Make sure nuts and bolts are tightened.



3. Attach RF, RM & RR lower brackets using M8 coach bolts and nuts from step 1. Do not tighten fully, as you may need to adjust the position of these brackets later.

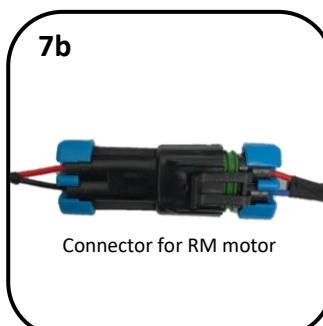
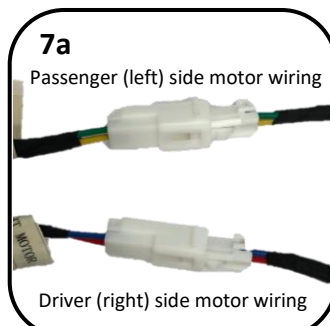
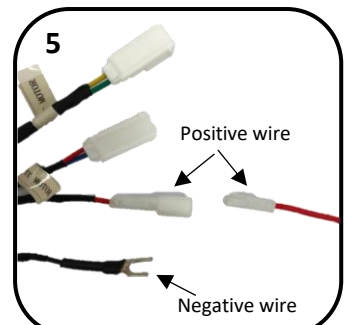
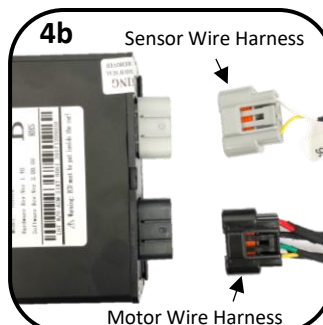
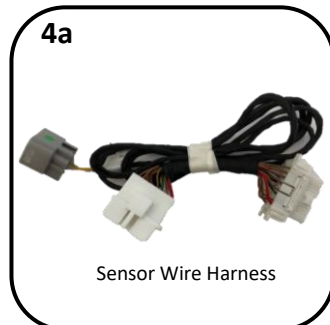


Installing control unit and wiring

⚠ IMPORTANT

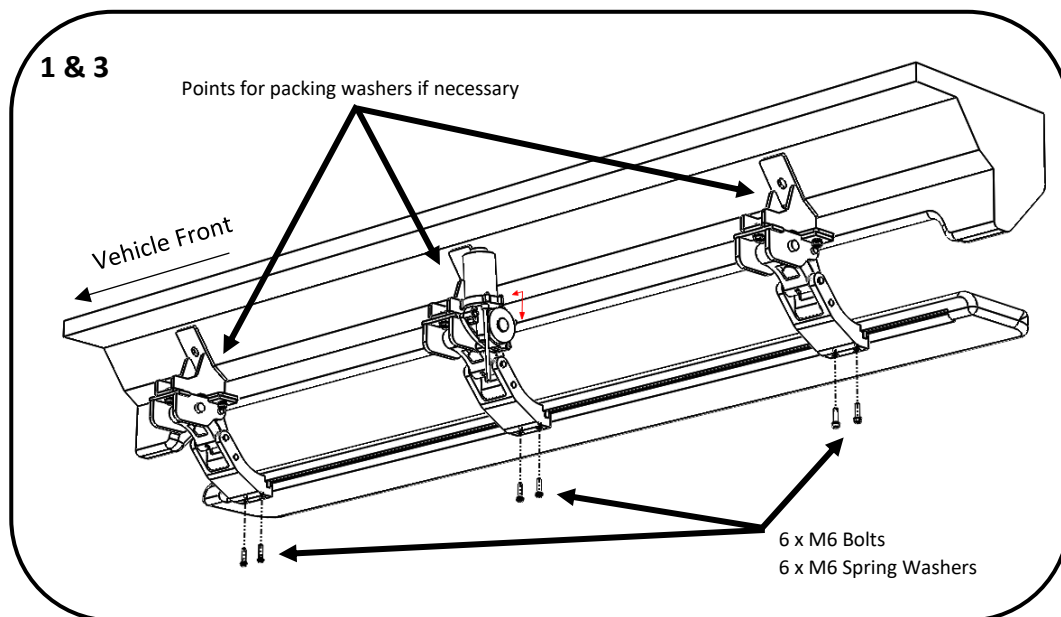
Clearview recommend this to be completed by a professional. Incorrect installation may cause damage to your vehicle and possible personal injuries.

1. Remove fuse from positive (red) wire supplied and connect wire to vehicle battery positive terminal. Ensure connection is secure.
2. Feed positive wire through vehicle firewall into the passenger (left) side of vehicle cabin. Plastic wire feeder may be required for this step and subsequent steps.
3. Mount the control unit under the passenger side kick panel in vehicle cabin using M6 bolts supplied. Control unit should not be placed in the vehicle engine bay, as exposure to heat and moisture may cause damage to the unit.
4. Connect motor wire harness (black plug) and sensor wire harness (grey plug) to control unit.
5. Connect negative (black) wire from motor wire harness to a ground point on the passenger side of chassis, near where the control unit is mounted. Connect the positive wire from step 2 to the corresponding connector found on the motor wire harness.
6. Route sensor wire harness under the vehicle dash and bring across to driver (right) side. plug sensor wire harness into vehicle's OBD.
7. Connect motor wires to corresponding connectors on motor wire harness, passenger side wires are green & yellow, driver side wires are red & blue. Route driver side motor wire under vehicle dash and bring across to driver side cabin, then route motor wire through vehicle floor and connect wire to motor on the RM Bracket Assembly. Holes for routing can be found under floor carpet.
8. Route passenger side motor wire through vehicle floor and connect wire to motor on the LM Bracket Assembly. Holes for routing can be found under floor carpet.
9. Re-insert fuse into positive wire and test motor operation by opening and closing vehicle doors.



Installing running board

1. Open vehicle door to deploy the motor bracket. Use M6 bolts and M6 spring washers provided, mount running board to bracket. Do not tighten bolts fully, as you may need to adjust the position of the running board.
2. Open and close vehicle door to check position of power board. Adjust position of brackets, as well as running board if necessary and tighten all bolts (M6 & M8 bolts) once position is finalised.
3. In some cases, U shape packing washers may need to be placed in between bracket assembly and vehicle bracket mounting points to correctly position Clearview Power Boards. In these cases, M8 bolts used to hold bracket assemblies to vehicle will need to be loosened to insert washer. Once running board is correctly positioned, tighten all bolts.
4. Tidy up all electrical wires and cable tie wires to chassis where possible to minimise risks of wires getting caught on objects. You may also apply electrical tape to connectors to provide additional protection.



Operation of Clearview Power Boards

Normal Operation: Clearview Power Boards will deploy automatically when vehicle door is opened and retract when door is closed.

Manual Operation: On occasions you may want the Clearview Power Boards to be deployed even when vehicle door is closed to access vehicle roof. To do this, open vehicle door first so Clearview Power Boards are deployed. Step your foot on the running board and close your vehicle door at the same time, the Clearview Power Board should remain deployed. To reset, open and close your vehicle door again.

Reset Clearview Power Boards: Clearview Power Boards are equipped with a safety cut off feature in the case where normal operation is obstructed. To resume operation, simply clear the obstruction, open and close vehicle door. Although Clearview Power Boards is equipped with the safety cut off feature, we strongly advise to keep hands and feet away from moving components when Power Boards are in operation.

Maintenance: Over time, debris such as mud, dirt and salt may build up on moving components of Power Boards, leading to unwanted noise and reduced performance. If this occurs, manually deploy the Power Boards and remove debris. Silicone lubricant spray may also be applied to hinges.