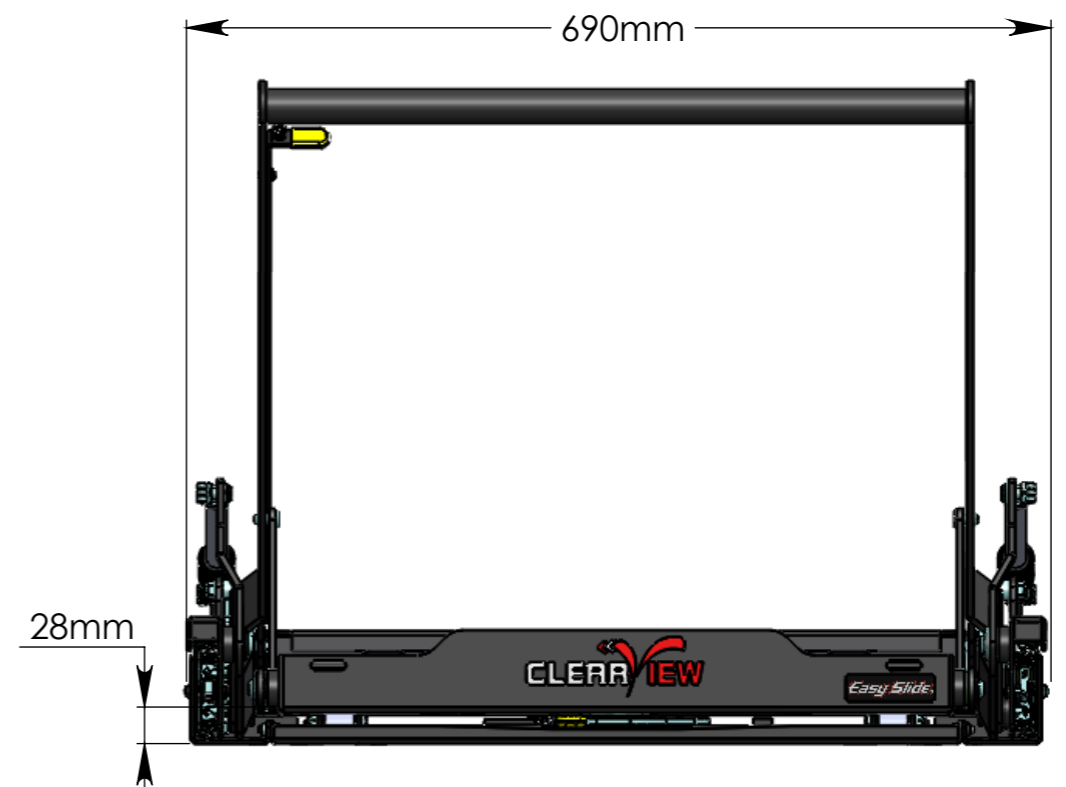
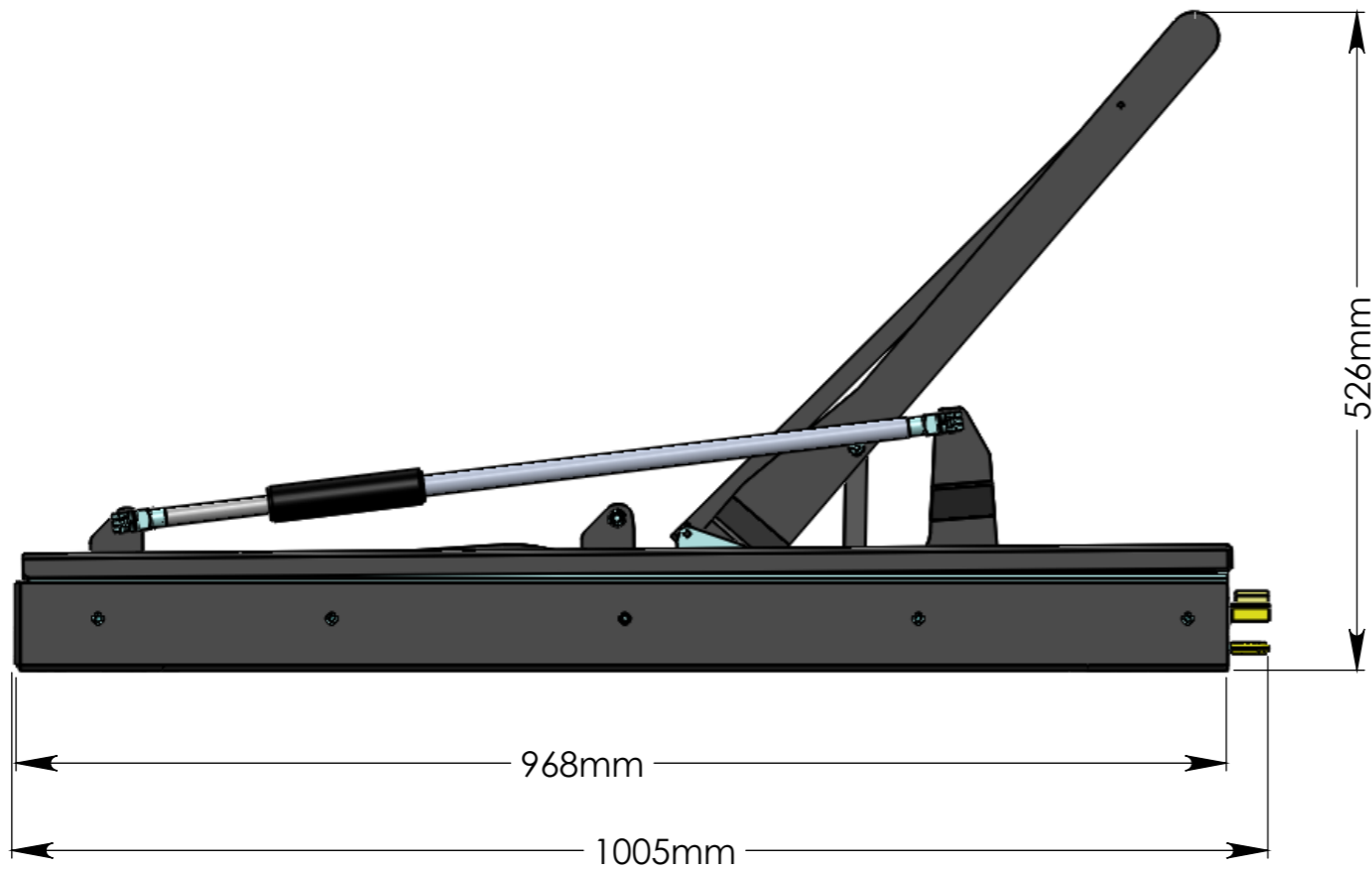
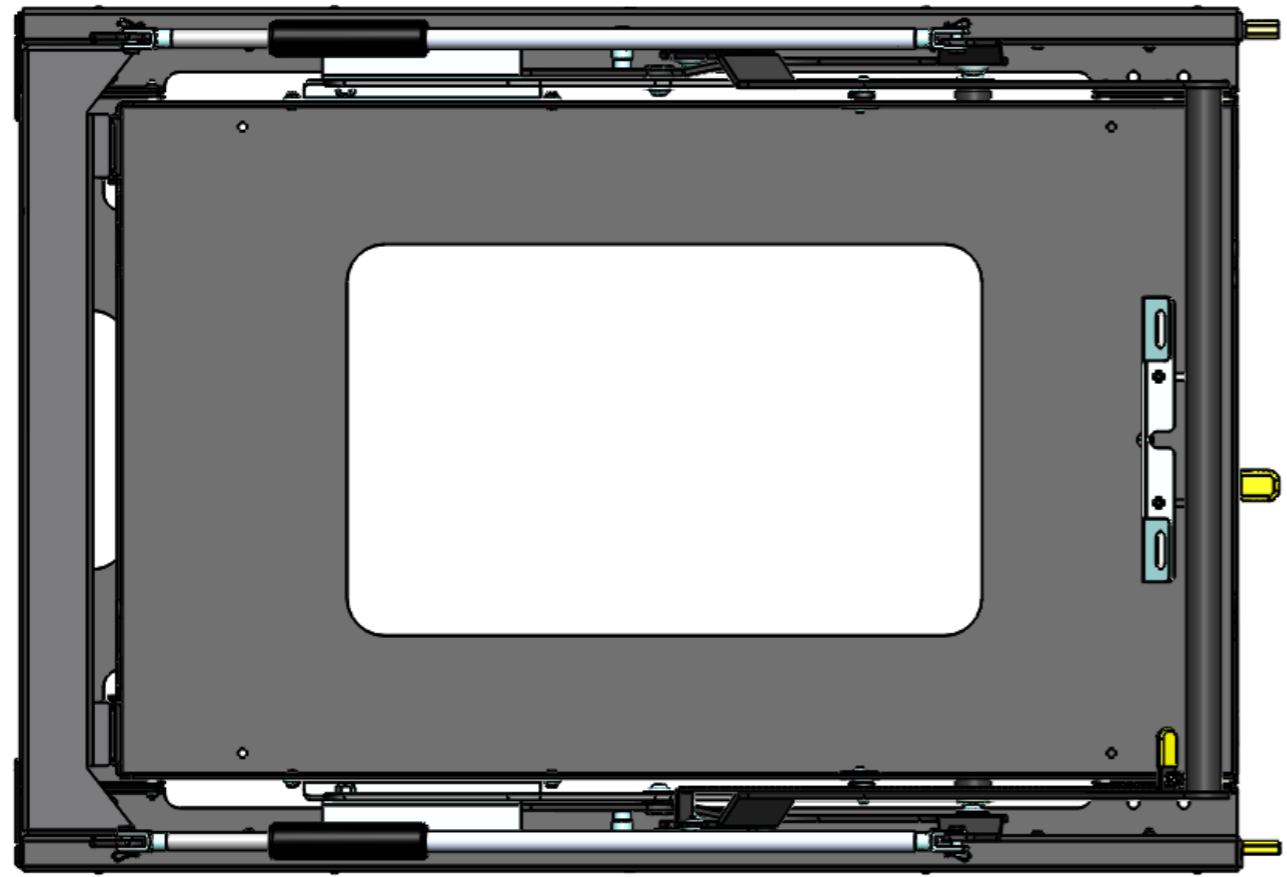


DRAWING UNCONTROLLED UNLESS STAMPED OTHERWISE

UNLESS OTHERWISE SPECIFIED: DIMENSIONS ARE IN MILLIMETRES SURFACE FINISH: TOLERANCES		WHERE USED: -EASY SLIDE 220 (ES8853)
LINEAR: ANGULAR:		LAST SAVED: Thursday, 15 October 2015 11:09:17 AM <small>THE INFORMATION CONTAINED IN THIS DRAWING REMAINS THE SOLE PROPERTY OF CLEARVIEW TOWING MIRRORS. ANY REPRODUCTION IN PART OR AS A WHOLE WITHOUT THE PRIOR WRITTEN CONSENT OF CLEARVIEW TOWING MIRRORS IS STRICTLY PROHIBITED.</small>
DESIGNED	BC 15-05-2015	FINISH:
DRAWN	BC 03-07-2015	MATERIAL: AS PER PIECE PART
CHECKED		WEIGHT (KG): 49.0945
APPROVED		SCALE: 1:6
DEBUR AND BREAK SHARP EDGES	DO NOT SCALE DRAWING	
FILE LOCATED: C:\Users\Cleaview\Documents\EASY SLIDE\CV-ES8853 (ES220)\		

CLEARVIEW TOWING MIRRORS	
INSTALLING STRUTS	
ES220	
FINAL ASSEMBLY DRAWING	
DWG NO.	REVISION:
03-ES8853-98	A



UNLESS OTHERWISE SPECIFIED: DIMENSIONS ARE IN MILLIMETRES SURFACE FINISH: TOLERANCES LINEAR: ANGULAR:		WHERE USED: -EASY SLIDE 220 (ES8853)	LAST SAVED: Thursday, 15 October 2015 11:09:17 AM <small>THE INFORMATION CONTAINED IN THIS DRAWING REMAINS THE SOLE PROPERTY OF CLEARVIEW TOWING MIRRORS. ANY REPRODUCTION IN PART OR AS A WHOLE WITHOUT THE PRIOR WRITTEN CONSENT OF CLEARVIEW TOWING MIRRORS IS STRICTLY PROHIBITED.</small>
DESIGNED	BC	15-05-2015	FINISH: MATERIAL: AS PER PIECE PART
DRAWN	BC	03-07-2015	
CHECKED			WEIGHT (KG): 49.0945
APPROVED			
DEBUR AND BREAK SHARP EDGES	DO NOT SCALE DRAWING		SCALE: 1:6
FILE LOCATED: C:\Users\Cleaview\Documents\EASY SLIDE\CV-ES8853 (ES220)\			

DRAWING UNCONTROLLED UNLESS STAMPED OTHERWISE

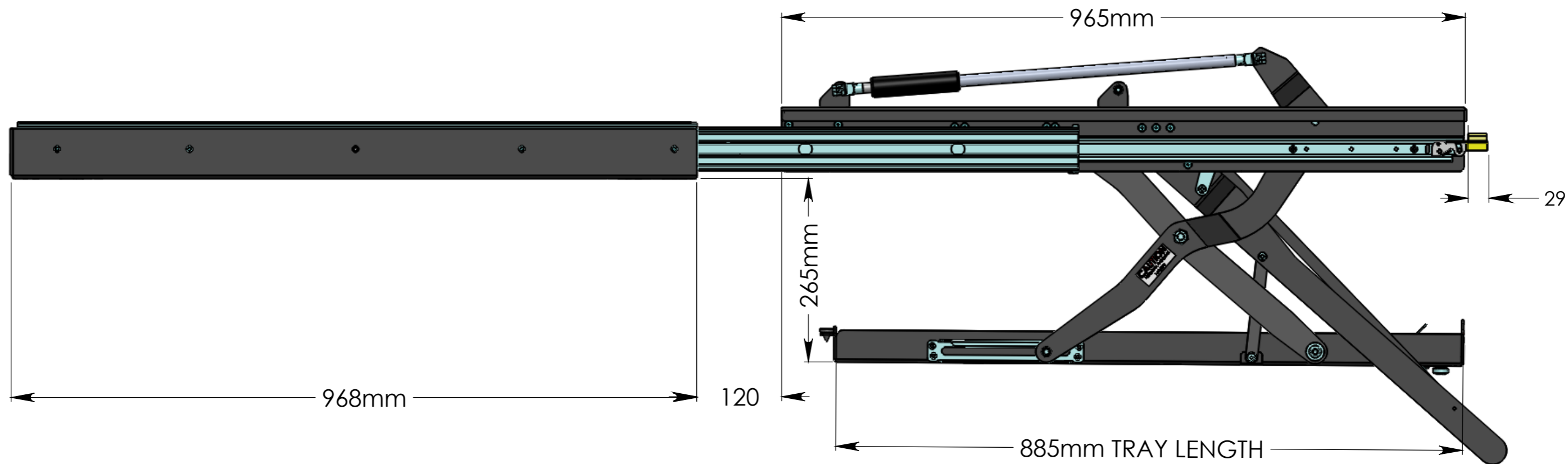
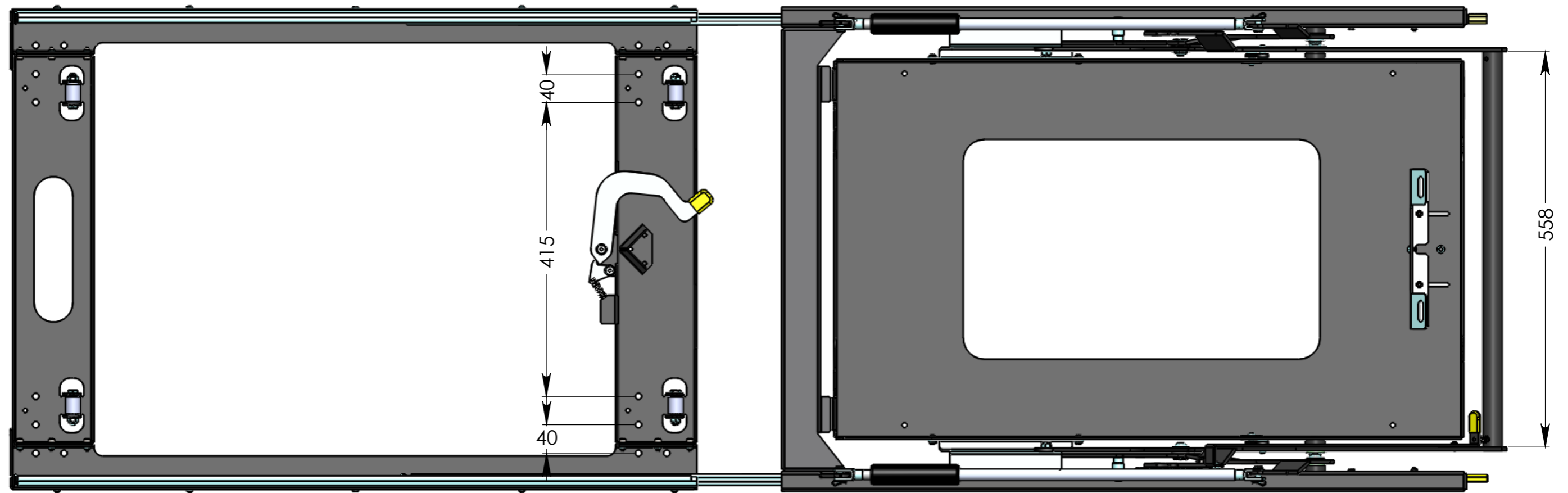
CLEARVIEW TOWING MIRRORS

INSTALLING STRUTS ES220

FINAL ASSEMBLY DRAWING

DWG NO.	03-ES8853-98	REVISION:	A
---------	---------------------	-----------	----------

SHEET 2 OF 3 | A3



UNLESS OTHERWISE SPECIFIED: DIMENSIONS ARE IN MILLIMETRES SURFACE FINISH: TOLERANCES		WHERE USED: -EASY SLIDE 220 (ES8853)		DRAWING UNCONTROLLED UNLESS STAMPED OTHERWISE	
LINEAR: ANGULAR:		LAST SAVED: Thursday, 15 October 2015 11:09:17 AM <small>THE INFORMATION CONTAINED IN THIS DRAWING REMAINS THE SOLE PROPERTY OF CLEARVIEW TOWING MIRRORS. ANY REPRODUCTION IN PART OR AS A WHOLE WITHOUT THE PRIOR WRITTEN CONSENT OF CLEARVIEW TOWING MIRRORS IS STRICTLY PROHIBITED.</small>			
DESIGNED	BC	15-05-2015	FINISH:	CLEARVIEW TOWING MIRRORS INSTALLING STRUTS ES220 FINAL ASSEMBLY DRAWING	
DRAWN	BC	03-07-2015	MATERIAL: AS PER PIECE PART		
CHECKED			WEIGHT (KG): 49.0945		
APPROVED			SCALE: 1:6	DWG NO.	REVISION:
DEBUR AND BREAK SHARP EDGES		DO NOT SCALE DRAWING		03-ES8853-98	A
FILE LOCATED: C:\Users\Cleaview\Documents\EASY SLIDE\CV-ES8853 (ES220)\				SHEET 3 OF 3	A3