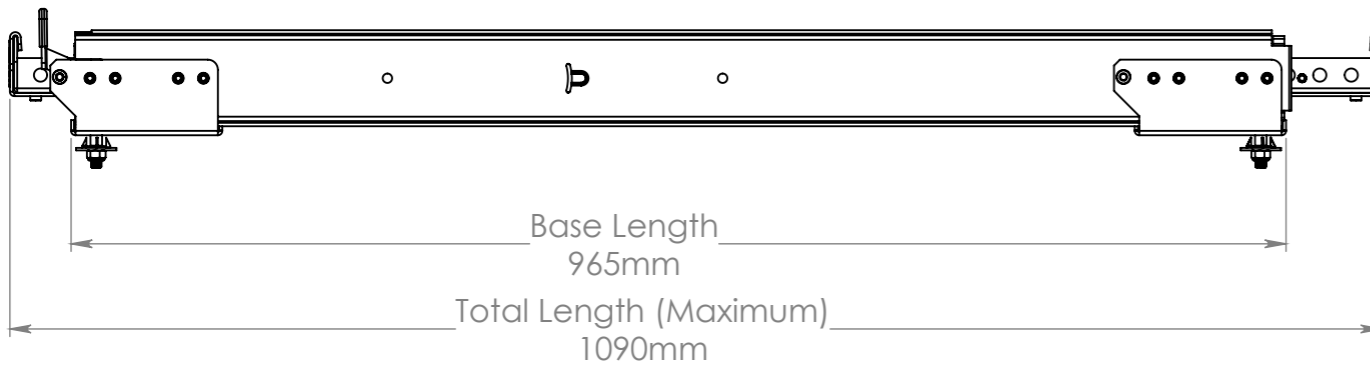
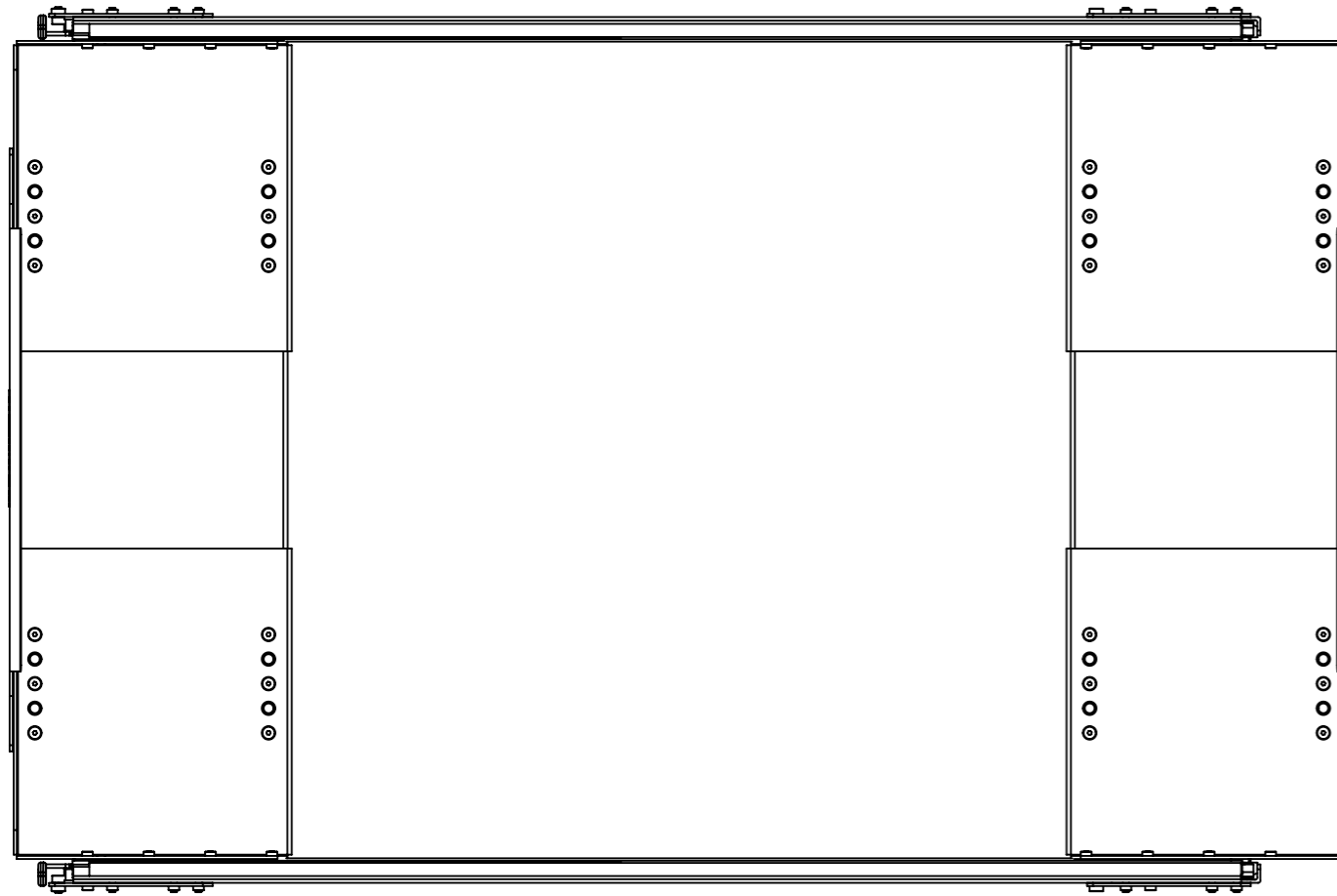


SECTION B-B

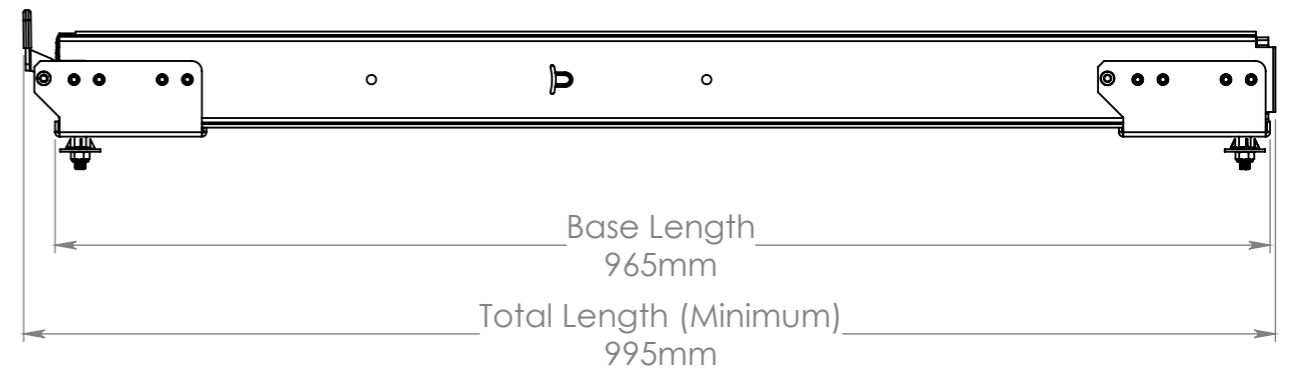
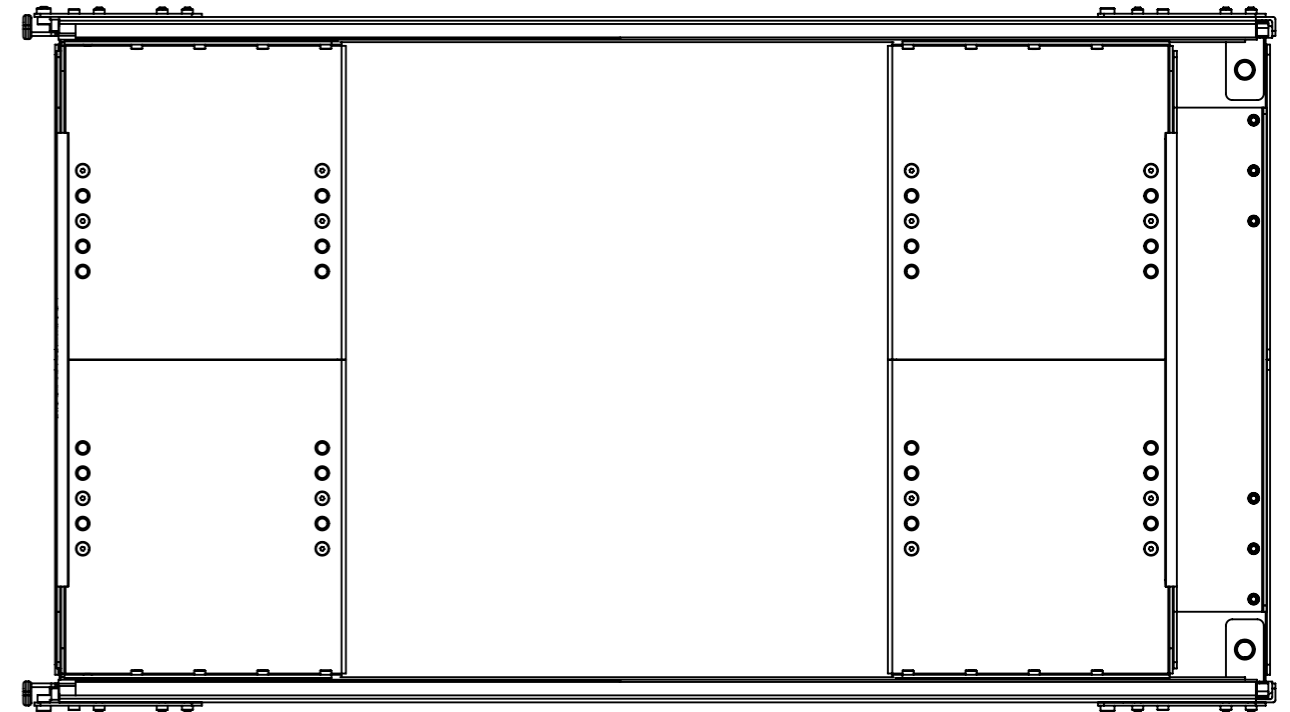
DRAWING UNCONTROLLED UNLESS STAMPED OTHERWISE

UNLESS OTHERWISE SPECIFIED: DIMENSIONS ARE IN MILLIMETRES SURFACE FINISH: TOLERANCES LINEAR: $\pm 0.15\text{mm}$ ANGULAR: $\pm 0.5^\circ$		WHERE USED: LAST SAVED: Monday, April 16, 2018 2:48:43 PM <small>THE INFORMATION CONTAINED IN THIS DRAWING REMAINS THE SOLE PROPERTY OF CLEARVIEW TOWING MIRRORS. ANY REPRODUCTION IN PART OR AS A WHOLE WITHOUT THE PRIOR WRITTEN CONSENT OF CLEARVIEW TOWING MIRRORS IS STRICTLY PROHIBITED.</small>	CLEARVIEW TOWING MIRRORS	
DESIGNED		FINISH:	Clearview Expanda XL	
DRAWN	DN 16-Apr-18	MATERIAL:		
CHECKED		WEIGHT (G):	DWG NO. Drawing	
APPROVED		SCALE: 1:6		
DEBUR AND BREAK SHARP EDGES	DO NOT SCALE DRAWING		REVISION: B	
FILE LOCATED: C:\Users\Cleaview\Documents\Dylan's files\Cleaview\Products\Expanda\Expanda XL\Models\Assemblies\			SHEET 1 OF 3	A3

Maximum Expansion

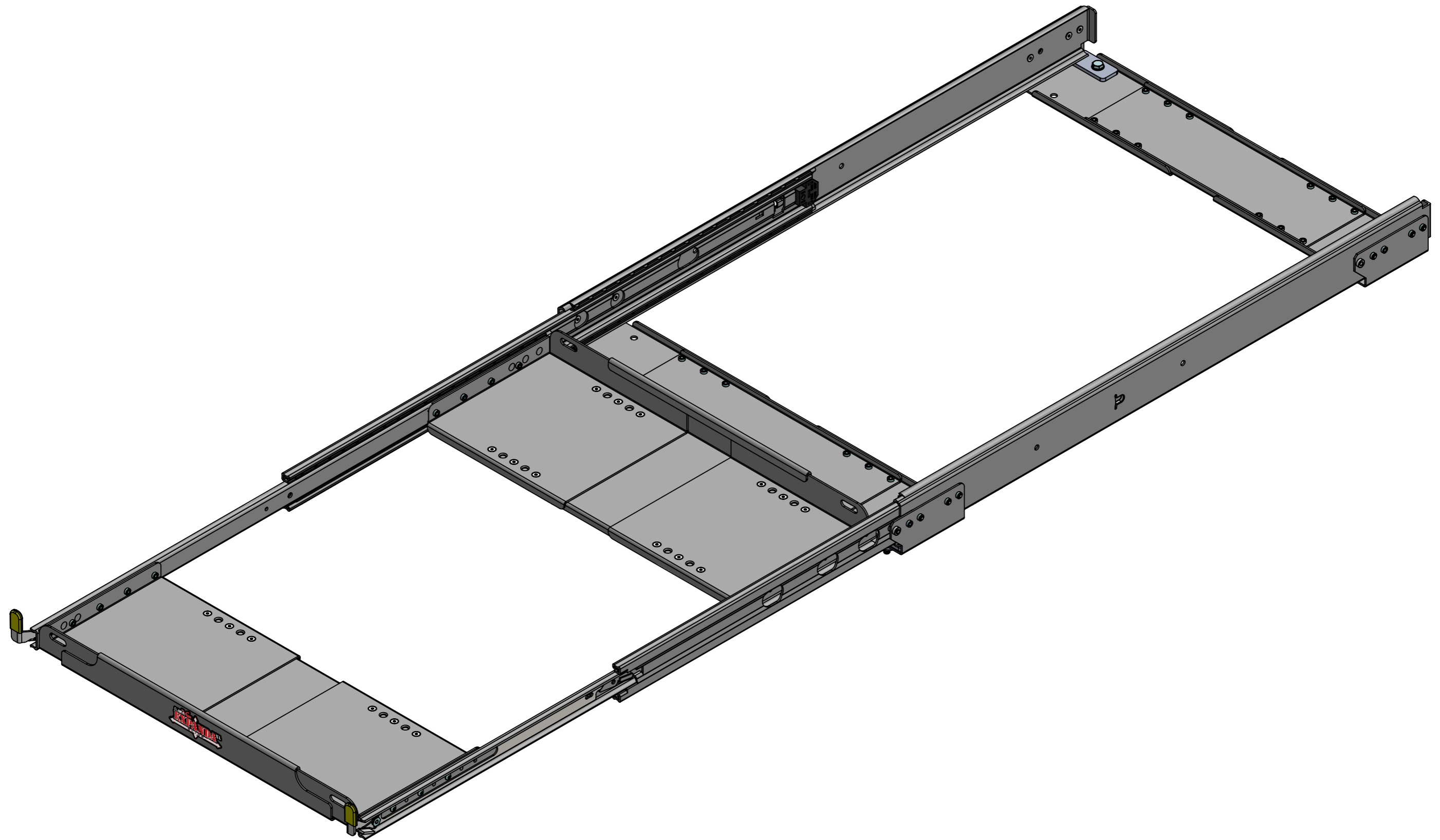


No Expansion



DRAWING UNCONTROLLED UNLESS STAMPED OTHERWISE

UNLESS OTHERWISE SPECIFIED: DIMENSIONS ARE IN MILLIMETRES SURFACE FINISH: TOLERANCES LINEAR: $\pm 0.15\text{mm}$ ANGULAR: $\pm 0.5^\circ$		WHERE USED:	CLEARVIEW TOWING MIRRORS	
DESIGNED		LAST SAVED: Monday, April 16, 2018 2:48:43 PM		
DRAWN DN 16-Apr-18		MATERIAL:		DWG NO.
CHECKED		WEIGHT (G):		
APPROVED		SCALE: 1:6		REVISION: B
DEBUR AND BREAK SHARP EDGES		DO NOT SCALE DRAWING		Drawing
FILE LOCATED: C:\Users\Clearview\Documents\Dylan's files\CLEARVIEW\Products\Expanda\Expanda XL\Models\Assemblies\				SHEET 2 OF 3



DRAWING UNCONTROLLED UNLESS STAMPED OTHERWISE

UNLESS OTHERWISE SPECIFIED: DIMENSIONS ARE IN MILLIMETRES SURFACE FINISH: TOLERANCES LINEAR: $\pm 0.15\text{mm}$ ANGULAR: $\pm 0.5^\circ$		WHERE USED:	CLEARVIEW TOWING MIRRORS	
DESIGNED		LAST SAVED: Monday, April 16, 2018 2:48:43 PM	TITLE: Clearview Expanda XL	
DRAWN DN 16-Apr-18		<small>THE INFORMATION CONTAINED IN THIS DRAWING REMAINS THE SOLE PROPERTY OF CLEARVIEW TOWING MIRRORS. ANY REPRODUCTION IN PART OR AS A WHOLE WITHOUT THE PRIOR WRITTEN CONSENT OF CLEARVIEW TOWING MIRRORS IS STRICTLY PROHIBITED.</small>		DWG NO.
CHECKED				REVISION: B
APPROVED		MATERIAL:	SCALE: 1:5	
DEBUR AND BREAK SHARP EDGES		DO NOT SCALE DRAWING	Drawing	
FILE LOCATED: C:\Users\Clearview\Documents\Dylan's files\ClearView\Products\Expanda\Expanda XL\Models\Assemblies\		SHEET 3 OF 3		A3